

Customer assistance for air filters cleaning (E1 code) on Sharp Air Conditioners.

The display will indicate an E1 code and not allow the unit to operate until the code is cleared when it is time to clean the filter. For proper clearing of the display and continued operation, assist the customer with the following guideline when they have a question with the operation manual.

<Applicable page on operation manual >

AF-S60FX / AF-S80FX / AF-S85FX / AF-R80FX ...(Page 17)

AF-S100FX / AF-S120FX / AF-S125FX / AF-R100FX / AF-R120FX ...(Page 16)

Control panel

① Disconnect the power plug from the power supply.

② Clean the air filter.

③ Hold down the POWER ON/OFF pad of the unit's control panel and plug in the power plug to the power supply. Keep pressing the POWER ON/OFF pad until the unit emits a "BEEP" sound. (for approx. 5 seconds)

④ Disconnect the power plug from the power supply and plug it in again.

⑤ Start your air conditioner's operation.

E 1 Indicates the requirement of a filter check after 720 hours of fan operation. Clear message "E1" on LED display following procedure below.

If your air conditioner unit still indicates "E1" message after following the above instructions, follow procedure below.

Control panel

① Disconnect the power plug from the power supply.

② Hold down the MODE pad of the unit's control panel and plug in the power plug to the power supply. Keep pressing the MODE pad until the unit emits a "BEEP" sound. (for approx. 3 seconds) The unit will start to operate.

③ Stop the unit's operation by pressing POWER ON/OFF pad.

④ Start your air conditioner's operation.

If any customer has a continued problem or can not clear the display following these instruction, have them contact 1-800-BE-SHARP (1-800-237-4277).

SHARP®



ROOM AIR CONDITIONER INSTALLATION AND OPERATION MANUAL

CONTENTS	PAGE
----------	------

FOR YOUR PROTECTION	2
CONSUMER LIMITED WARRANTY	3
INSTALLATION INSTRUCTIONS	
● CHECK WINDOW AREA	4
● LOCATION	4
● ACCESSORIES	5
● SUGGESTED TOOLS	5
● INSTALLATION	6
PRECAUTIONS	
● CAUTION FOR USE	9
● GROUNDING INSTRUCTIONS	9
● NOTES ON OPERATION	10
● ENERGY EFFICIENCY TIPS	10
HOW TO OPERATE	
● PARTS NAMES	11
● COOLING OPERATION	12
● TO CHANGE FAN SPEED AND OPERATION MODE ..	12
● TO CHANGE TEMPERATURE SETTING	13
● TO CHANGE AIR FLOW DIRECTION	13
● ON TIMER OPERATION	14
● OFF TIMER OPERATION	15
● USING THE REMOTE CONTROL	16
● OPERATION INSTRUCTIONS	17
CLEANING AND MAINTENANCE	18
BEFORE CALLING FOR SERVICE	19

This **INSTALLATION AND OPERATION MANUAL** explains the proper use of your new Sharp Air Conditioner. Read these instructions carefully before installing or operating your air conditioner. The **INSTALLATION AND OPERATION MANUAL** should be kept in a safe place for handy reference.

As an ENERGY STAR Partner, Sharp Electronics has determined that this product (AF-S60FX .AF-S80FX . AF-S85FX) meets the ENERGY STAR guidelines for energy efficient air conditioners. To meet these guidelines, air conditioners must be at least 10% more efficient than the minimum Federal standard.

FOR YOUR PROTECTION

To aid in answering questions if you call for service or for reporting loss or theft, please record below the model and serial number located on the right side of the unit.

MODEL NUMBER

SERIAL NUMBER

DATE OF PURCHASE

Dealer Name

Address

City

State

Zip

Telephone

TO PHONE: Dial 1-800-BE-SHARP (237-4277) for:
SERVICE (for your nearest Sharp Authorized Servicer)
PARTS (for your Authorized Parts Distributor)
ACCESSORIES
ADDITIONAL CUSTOMER INFORMATION

TO WRITE: For service problems, warranty information, missing items and other assistance:
Sharp Electronics Corporation
Customer Assistance Center
1300 Naperville Drive
Romeoville, IL 60446-1091

Please provide the following information when you write or call: model number, serial number, date of purchase, your complete mailing address (including zip code), your daytime telephone number (including area code) and description of the problem.

CONSUMER LIMITED WARRANTY

CONSUMER LIMITED WARRANTY

SHARP ELECTRONICS CORPORATION warrants to the first consumer purchaser that this Sharp brand product (the "Product"), when shipped in its original container, will be free from defective workmanship and materials, and agrees that it will, at its option, either repair the defect or replace the defective Product or part thereof with a new or remanufactured equivalent at no charge to the purchaser for parts or labor for the period(s) set forth below.

This warranty does not apply to any appearance items of the Product nor to the additional excluded item(s) set forth below nor to any Product the exterior of which has been damaged or defaced, which has been subjected to improper voltage or other misuse, abnormal service or handling, or which has been altered or modified in design or construction.

In order to enforce the rights under this limited warranty, the purchaser should follow the steps set forth below and provide proof of purchase to the servicer.

The limited warranty described herein is in addition to whatever implied warranties may be granted to purchasers by law. ALL IMPLIED WARRANTIES INCLUDING THE WARRANTIES OF MERCHANTABILITY AND FITNESS FOR USE ARE LIMITED TO THE PERIOD(S) FROM THE DATE OF PURCHASE SET FORTH BELOW. Some states do not allow limitations on how long an implied warranty lasts, so the above limitation may not apply to you.

Neither the sales personnel of the seller nor any other person is authorized to make any warranties other than those described herein, or to extend the duration of any warranties beyond the time period described herein on behalf of Sharp.

The warranties described herein shall be the sole and exclusive warranties granted by Sharp and shall be the sole and exclusive remedy available to the purchaser. Correction of defects, in the manner and for the period of time described herein, shall constitute complete fulfillment of all liabilities and responsibilities of Sharp to the purchaser with respect to the Product, and shall constitute full satisfaction of all claims, whether based on contract, negligence, strict liability or otherwise. In no event shall Sharp be liable, or in any way responsible, for any damages or defects in the Product which were caused by repairs or attempted repairs performed by anyone other than an authorized servicer. Nor shall Sharp be liable or in any way responsible for any incidental or consequential economic or property damage. Some states do not allow the exclusion of incidental or consequential damages, so the above exclusion may not apply to you.

THIS WARRANTY GIVES YOU SPECIFIC LEGAL RIGHTS. YOU MAY ALSO HAVE OTHER RIGHTS WHICH VARY FROM STATE TO STATE.

<u>Your Product Model Number & Description:</u>	AF-S60FX, AF-S80FX, AF-S85FX or AF-R80FX Room Air Conditioner. Be sure to have this information available when you need service for your Product.
<u>Warranty Period for this Product:</u>	One (1) year parts and labor from date of purchase. The warranty period continues for a total of five (5) years from date of purchase for the Sealed Cooling System parts; labor and service are not provided free of charge for this additional period.
<u>Additional Item(s) Excluded From Warranty Coverage (If any):</u>	Appearance items of the Product, knobs, filter, or accessories, mounting kit, seals, or any printed materials.
<u>Where to Obtain Service:</u>	From a Sharp Authorized Servicer located in the United States. To find the location of the nearest Sharp Authorized Servicer, call Sharp Toll Free at 1-800-BE-SHARP.
<u>What to Do to Obtain Service:</u>	Contact your Sharp Authorized Servicer to obtain in-home service for this Product. The Servicer will come to your home, and if it is necessary to remove the Product, the Servicer will reinstall it. Be sure to have Proof of Purchase available.

TO OBTAIN SUPPLY, ACCESSORY OR PRODUCT INFORMATION, GO TO OUR WEBSITE AT www.sharpsusa.com
OR CALL 1-800-BE-SHARP.



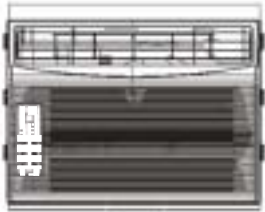
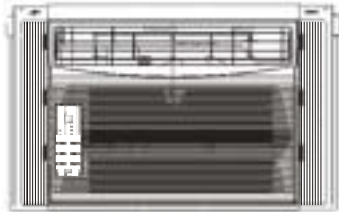
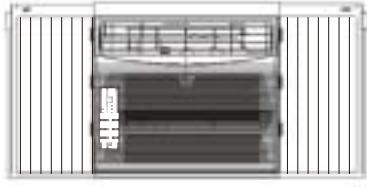
Sharp Plaza, Mahwah, New Jersey 07430-2135

INSTALLATION INSTRUCTIONS

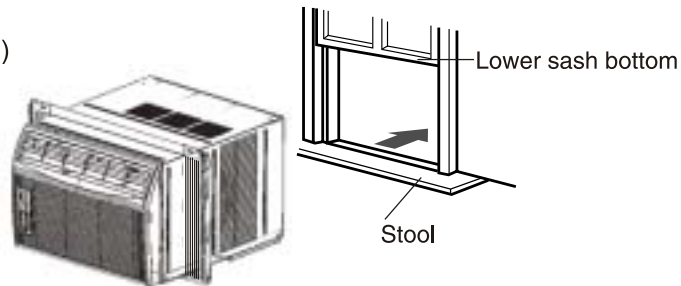
Before beginning installation, read these instructions carefully.
Use the enclosed MOUNTING KIT for proper installation.

CHECK WINDOW AREA

The mounting kit is designed for wooden sill double or single hung sash-type windows.

Minimum opening (Without mounting kit)	Mounting kit fully closed	Mounting kit fully opened
18 1/2 " (470mm)	22 " (559mm)	36 " (914mm)
		

Window opening from stool to lower sash bottom must be 13 3/8 " (340mm) or more.



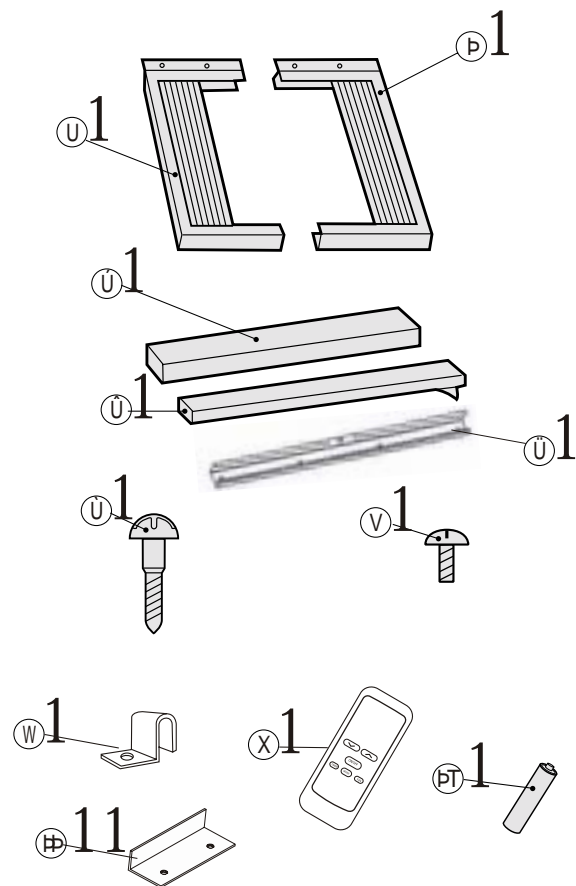
LOCATION

- The air conditioner should be installed in a solid window to minimize noise and vibration. For safe installation, repairs, replacement and secure positioning, make sure the window is solid and level.
- The room air conditioner must be installed in an area within reach of a properly rated grounded outlet.
- Use of extension cords of any kind is not recommended.
- Never place any obstacles around the air inlet.

INSTALLATION INSTRUCTIONS

ACCESSORIES

No	Accessories	Q'ty
1	Right Window Filler Panel	1
2	Left Window Filler Panel	1
3	Window sash foam seal	1
4	Window sash foam seal (adhesive type)	1
5	Top rail	1
6	Screws (L= $\frac{3}{4}$ "=19mm)	7
7	Screws (L= $\frac{1}{4}$ "=6.5mm)	4
8	Closure lock	2
9	Remote control	1
10	Battery	2
11	Window lock	1



SUGGESTED TOOLS

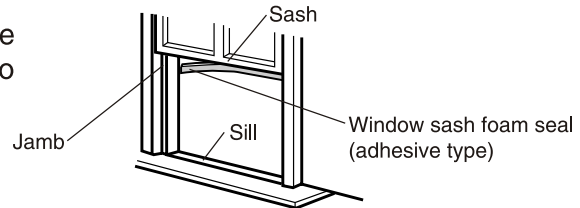
1. Screw driver (medium size Phillips)
2. Tape measure or ruler
3. Knife or scissors

INSTALLATION INSTRUCTIONS

INSTALLATION

WARNING: Make sure the unit is turned off and unplugged before installing.

- N** Cut the window sash foam seal (adhesive type) to the proper length and attach it to the underside of the window sash.



- O** Remove the air conditioner from the carton and place on a flat surface. Remove the top rail from the bottom of the packaging material as shown in FIG. 1A



Top rail

FIG. 1A

Align the hole in the top rail with those in top of the unit as shown in FIG. 1B
The higher flange should be toward the front of the air conditioner.

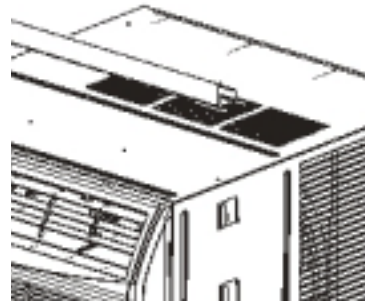


FIG. 1B

Secure the top rail to the unit with the $1/4$ " Screws as shown in FIG. 1C

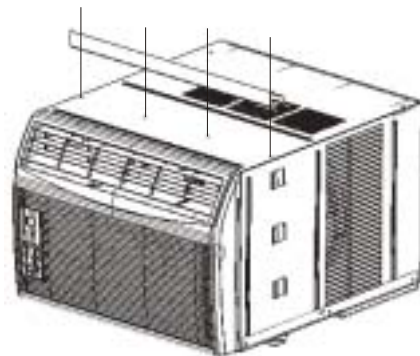


FIG. 1C

INSTALLATION INSTRUCTIONS

NOTE: Top Rail and Sliding Panels at each side are offset to provide the proper pitch to the rear of (5/16"). This is necessary for proper condensed water utilization and drainage. If you are not using the Side Panels for any reason, this pitch to the rear must be maintained!

P Place unit on floor, a bench or a table. There is a Left and Right Window Filler Panel- be sure to use the proper panel for each side. When installed the flange for securing the panel to the window sill will be facing into the room.

^? e^-εI' \$α I^α Cc^-2E^- @Im-@α I' @I' @α IS-@E I-@E I! α@' ε^1
 °μ α I; ~C^a I' \$α I' ~@α I; α^1 ~@E I' \$α I α @E^3 I' ¥I' \$α I#^2~ ~α?
 p α α I cfd 10?



_? d^ε α I' \$α I#^2 α α I α @E I 9I ZI^3 α C^- @: I' ¥I' \$α I' ~@α I' @^- I' \$α
 C~ i' @α' I-^3 I^3 S^- @ I' 1 cfd 1P=7IQ? p^ε ε α I' \$α I' ~@α I E^- · @?
 _α I^3 μ^2 α I' ~ I α ~ I α @^- μ! S I^3 ° ~C α I' ~ I^3 ε^° I' \$α I' ~° I-@E I; ~^-
 ~ ¥I' \$α I#^2 ~ ~α I' @^- I' \$α I^2 ~ ε^3 I' @ I' \$α I C~ i' @α'?



`? I @Cα I' \$α I' ~@α I S~^3 I; α α @ I' @^3' ~α α E I' @ I' \$α I^3' E α I' ~¥1
 ' \$α I C~ i' @α' = ~^α α I^3 μ^2 α I' I^3'^3 I^3 α C μ^2 α ε^4 I' @^3' E α I' \$α I#^2 ~ ~α
 C \$~ @ @α? p^ε ε α I' \$α I' ~° I-@E I; ~^- ~ I α @E^3 I' ¥I' \$α I#^2 ~ ~α
 @^- I' \$α I' ~° I-@E I; ~^- ~ I^2 ~ ε^3 I' ¥I' \$α I C~ i' @α' ? cfd 1R?



D. Slide the panel all the way in and repeat on the other side.

NOTE: If storm window blocks AC, see FIG. 13

Q Keep a firm grip on the air conditioner, carefully place the unit into the window opening so the bottom of the air conditioner frame is against the window sill (FIG. 6). Carefully close the window behind the top rail of the unit.

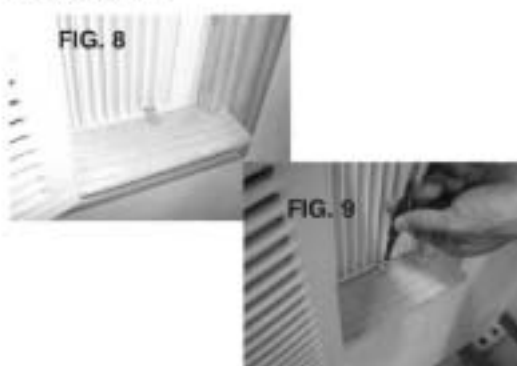


R Extend the side panels out against the window frame (FIG. 7).



INSTALLATION INSTRUCTIONS

S Place the frame lock between the frame extensions and the window sill as shown (FIG. 8). Drive 3/4" (19mm) locking screws through the frame lock and into the sill (FIG. 9). **NOTE:** To prevent window sill from splitting, drill 1/8" (3 mm) pilot holes before driving screws.



T Drive 3/4" (19mm) locking screws through frame holes into window sash (FIG. 10).



U To secure lower sash in place, attach right angle window lock with 3/4" (19 mm) screw as shown (FIG. 11).

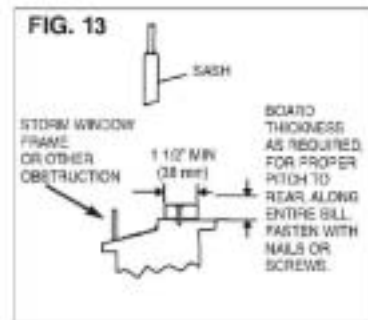


9 Cut foam seal and insert in the space between the upper and lower sashes (FIG. 12).



If AC is Blocked by Storm Window

Add wood as shown in FIG. 13, or remove storm window before air conditioner is installed.



If Storm Window Frame must remain, be sure the drain holes or slots are not caulked or painted shut. Accumulated Rain Water or Condensation must be allowed to drain out.

Removing AC From Window

- * Turn AC off, and disconnect power cord.
- * Remove sash seal from between windows, and unscrew safety lock.
- * Remove screws installed through frame and frame lock.
- * Close (slide) side panels into frame.
- * Keeping a firm grip on air conditioner, raise sash and carefully "rock" air conditioner backward to drain any condensate water in base of unit. Be careful not to spill any remaining water while lifting unit from window. Store parts WITH air conditioner:

PRECAUTIONS

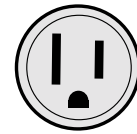
CAUTION FOR USE

IMPORTANT: Points to keep in mind when using your air conditioner.

- **Install the air conditioner by following the installation instructions given in the previous section of this manual.**
- **Make sure the unit is the correct capacity for the area you want to cool.**
- **Do not modify any part of this product.**
- **Do not insert objects into any part of the unit.**
- **Push the AC power plug securely into the receptacle and make sure it is not loose.**
- **Use power circuit with a proper voltage rating.**

Use a three-pronged grounded electrical outlet rated 125V, 60Hz, 15 amp or more, AC only as shown on right.

Use of an improper voltage rating power circuit can result in damage to the unit and possibly fire.



3-Pronged Grounding Receptacle 15 Amps. 125V.

- **Always use a fuse with the proper amp rating.**
Do not, under any circumstances, use wire, pins or other objects in place of the proper fuse.
- **Use of extension cords of any kind is not recommended.**
If you still elect to use an extension cord, it is absolutely necessary that it be a UL Listed 3-wire grounding type appliance extension cord rated 125 Volts, 15 amp or more.
- **Ventilate the room periodically during use, especially if using gas appliances.**

GROUNDING INSTRUCTIONS

WARNING: Improper use of the grounding plug can result in the risk of electric shock.

This appliance must be grounded. In the event of an electrical short circuit, grounding reduces the risk of electric shock by providing an escape wire for the electric current.

This appliance is equipped with a cord having a grounding wire with a grounding plug.

The plug must be plugged into an outlet that is properly installed and grounded.

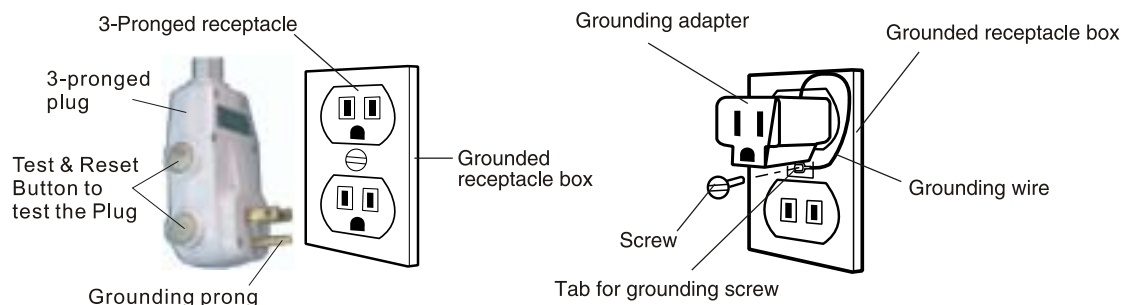
WARNING: Do not under any circumstances cut or remove the round grounding prong from this plug.

If it is necessary to use an extension cord, use only a UL Listed 3-wire extension cord that has a 3-blade grounding plug, and a 3-slot receptacle that will accept the plug on the appliance.

The marked rating of the extension cord should be AC 125 Volt, 15 Amp or more.

Consult a qualified electrician or serviceman if the grounding instructions are not completely understood, or if doubt exists as to whether the appliance is properly grounded.

If a grounding adapter is used, make sure the receptacle box is fully grounded.



PRECAUTIONS

NOTES ON OPERATION

- **Allow 3 minutes for the compressor to restart cooling.**
If you turn the air conditioner off and immediately restart it, allow three minutes for the compressor to restart cooling. There is an electronic device in the unit that keeps the compressor off for three minutes.
- **If a power failure occurs during use, allow 3 minutes before restarting the unit.**
After power is reinstated, restart the air conditioner. If the power was off for less than three minutes, be sure to wait at least three minutes before restarting the unit. If you restart the air conditioner within three minutes, a protective device in the unit may cause the compressor to shut off.
- **Dehumidifying function**
The air conditioner removes moisture from the air in your room.
- **Cooling operation under low temperatures: Is your unit freezing up?**
The unit operates on inside and outside temperatures. Freezing can occur when the temperature is set close to 64°F and when there are low outside temperatures, especially during the night hours. At these conditions, a further temperature drop may cause the unit to freeze. Setting the unit to a higher temperature will prevent it from freezing.

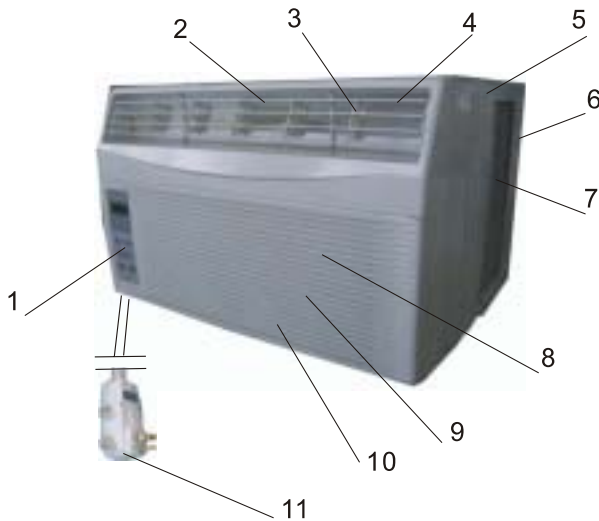
ENERGY EFFICIENCY TIPS

- **Setting the proper temperature.**
For optimum energy efficiency, keep the difference between the inside and outside temperature within 10°F(5°C). Do not keep the temperature setting any lower than is necessary for you to feel comfortable. Generally, 78°F to 80°F(26°C to 27°C) is a comfortable summer indoor temperature.
When you turn the unit on, do not set the temperature higher than the room temperature at start up as this will not allow the compressor to cycle and maintain a comfortable room temperature.
- **Avoid direct sunlight.**
Close blinds, drapes or shades to keep out direct sunlight during cooling operation.
- **Keep the filter clean.**
Keeping the filter clean greatly aids efficient operation. A dirty filter blocks the flow of air, making your air conditioner work harder and less efficiently. See page 18 on how to clean the filter.
- **Turn off unnecessary light.**
Your air conditioner must remove the heat produced by your lights or other heat-producing appliances. Turn off lights or appliances that are not in use.
- **Install your air conditioner in a shady location.**
Direct sunlight on a window air conditioner increases its workload and will increase its operating cost.
- **Don't let cool air escape.**
Close windows and outside doors. Do not keep doors open and let hot air rush in. Improperly installed air conditioners and improperly weatherstripped doors and windows will let hot air in and the cool air out.
- **Turn off air conditioner when no one is home.**
Use only when necessary. The fewer hours a room air conditioner is used, the lower the operating cost.

HOW TO OPERATE

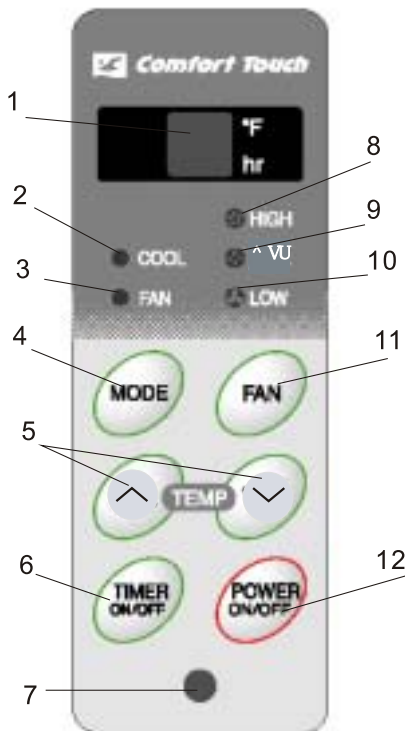
PARTS NAMES

UNIT



1. Control panel
2. Air outlet (Indoor Side)
3. Vertical louvers
4. Horizontal louvers
5. Cabinet
6. Air outlet (Outdoor Side)
7. Air inlet (Outdoor Side)
8. Air filter (Open the front panel to remove)
9. Front panel
10. Air inlet (Indoor side)
11. Power cord


CONTROL PANEL



1. Display
2. COOL indicator
3. FAN indicator
4. MODE pad
5. TEMPERATURE setting pad
^ --Raise temp. v --Lower temp.
6. TIMER ON/OFF pad
7. Receiver window for remote control signal
8. HIGH indicator
9. MED. indicator
10. LOW indicator
11. FAN speed pad
12. POWER ON/OFF pad

HOW TO OPERATE


COOLING OPERATION



A diagram of a remote control with labels: COOL indicator, HIGH indicator, MODE, FAN, TEMP, and POWER ON/OFF pad.

- 1 Touch POWER ON/OFF pad.**
 - The unit is preset at 76°F and HIGH COOL. This will show in the display when the power is first turned on.
 - ^~å^ indicator and COOL indicator will light.
- 2 To turn off the unit, touch POWER ON/OFF pad again.**
 - ^~å^ indicator and COOL indicator will go off.

TO CHANGE FAN SPEED AND OPERATION MODE



A diagram of a remote control with labels: COOL indicator, HIGH indicator, FAN indicator, b àæ? indicator, MODE pad, LOW indicator, and FAN speed pad.

During operation

Touch MODE pad to select the operation mode. Touch the FAN speed pad to select the fan speed.

- Fan speed and operation mode will change as you touch.


MODE: COOL --> FAN --> COOL
 FAN: HIGH --> b àæ? --> LOW --> HIGH

NOTES ON OPERATION MODE:

MODE indicator	DISPLAY	
COOL	HIGH	Cooling operation with high fan speed.
COOL	MED?	Cooling operation with medium fan speed.
COOL	LOW	Cooling operation with low fan speed.
FAN	HIGH	Fan only operation with high fan speed.
FAN	MED?	Fan only operation with medium fan speed.
FAN	LOW	Fan only operation with low fan speed.

- When the MODE is changed to fan only operation from cooling operation, it will take 10 seconds for the compressor to stop.
- The latest MODE and FAN speed settings will be memorized and will appear on the display the next time the unit is turned on.

TO CHANGE TEMPERATURE SETTING



TEMPERATURE
setting pad

During cooling operation

Touch the TEMPERATURE setting pad to adjust the temperature setting.

▲ [di="1"~"ë...? ▼ --ã8 f "-10" ë...?


- Temperature can be set within the range of 60°F to 90°F.
- Display will change back to room temp 10 seconds after the temp adjustment.

NOTE:

- In fan only (HIGH FAN, MED FAN, LOW FAN) operation, the temperature display will go off and the temperature setting cannot be changed.
- In cases of power outages or when the unit is disconnected; when the power is restored or the unit is plugged in, the unit operation will return to the setting mode before the power outage. The display will be indoor temp while the latest temperature setting will be memorized. If the unit is OFF before, then the unit will .v~ rÆ1 WMr Eu ltyv luz fjr ÆŠ ž}lx, 1, w?

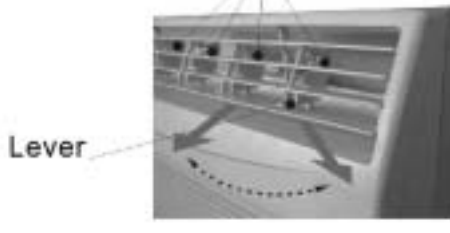
TO CHANGE AIR FLOW DIRECTION

The horizontal louvers are used to adjust the UP/DOWN direction of air flow, and the vertical louvers are used to adjust the LEFT/RIGHT direction of air flow for uniform and efficient cooling of the room.



Horizontal louvers

Adjust UP/DOWN air flow



Vertical louvers

Lever

Adjust LEFT/RIGHT air flow

HOW TO OPERATE

ON TIMER OPERATION

- This unit has a built-in timer that can be programmed to start the unit up to 12 hours in advance. You can set the timer to start in increments 1 hour up to 12 hours.
- The unit will start automatically according to your setting.



TIMER ON/OFF pad

(If you wish to start the operation
V 8!- later, set the delay time as
shown above.)

When the unit is not operating

1 Touch the TIMER ON/OFF pad to set the delayed start time.

- The time setting will change as you touch the pad. The display will change as follows;

Preset (1h) or Previous setting --> 1h -->
2h --> 3h -----> 11h --> 12h --> 0 (cancel)
--> 1h


- The timer will be set 10 seconds after the TIMER ON/OFF pad is touched for the last time.
- A point will be displayed to indicate the TIMER function is activated.
- COOL indicator will light when cooling operation is selected.
- FAN indicator will light when fan only operation is selected.
- While the ON TIMER is set, temperature and FAN speed setting can not be changed.
- The unit will start when the set time expires. The room temperature will be displayed.

TO CANCEL THE TIMER SETTING

Press the TIMER ON/OFF pad until 0(cancel)
appears on the display.

OFF TIMER OPERATION

- This unit has a built-in timer that can be programmed to shut off the unit up to 12 hours in advance. You can set the timer to shut off in increments 1 hour up to 12 hours.
- The unit will stop automatically according to your setting.



TIMER ON/OFF pad

(If you wish to stop the operation 7 hours later, set the delay time as shown above.)

When the unit is operating

1 Touch the TIMER ON/OFF pad to set the delayed stop time.

- The time setting will change as you touch the pad. The display will change as follows;
 Preset (1h) or Previous setting --> 1h --> 2h --> 3h -----> 11h --> 12h --> 0 (cancel) --> 1h
- The timer will be set 10 seconds after the TIMER ON/OFF pad is touched for the last time.
- A point will be displayed to indicate the TIMER function is activated.
- The unit will stop when the set time expires. All indicators and display will go out.
- While the OFF TIMER is set, temperature and FAN speed settings can be changed.
- When the temperature is set in the OFF TIMER mode, the temperature will show in the display for 10 seconds and then return to the room temperature display.

TO CANCEL THE TIMER SETTING

Press the TIMER ON/OFF pad until 0(cancel) appears on the display.

NOTES FOR ON/OFF TIMER SETTING AND OPERATION:

- Hold the TIMER ON/OFF pad down to speed through the setting.
- The last timer setting will not be memorized.
- If a power failure occurs while the OFF TIMER is set, the TIMER memory will be cancelled. The unit will automatically start f " è1...8 f " -1l=1- " =08- " ° .
- Timer ON/OFF function can also be set with the REMOTE CONTROL.

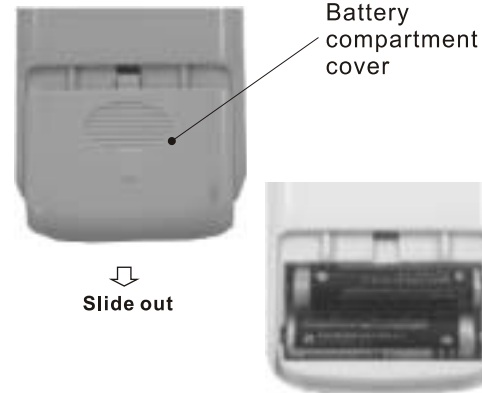
HOW TO OPERATE

USING THE REMOTE CONTROL

INSTALLING BATTERIES

Use two size-AA (R6) batteries.

- 1 Open the battery compartment cover.
- 2 Insert and slide the batteries into the compartment, making sure the \oplus and \ominus polarities are properly aligned.
- 3 Close the cover.



NOTES:

- The battery life is approximately one year with normal use.
- When you replace the batteries, always use two new ones of the same type.
- If the remote control does not operate normally after replacing the batteries, take out the batteries and replace them again after 30 seconds.
- If you will not be using the unit for a long time, remove the batteries from the remote control.

HOW TO USE THE REMOTE CONTROL

Point the remote control towards the unit's receiver window and press the desired button. A beep will sound when the unit receives the signal.

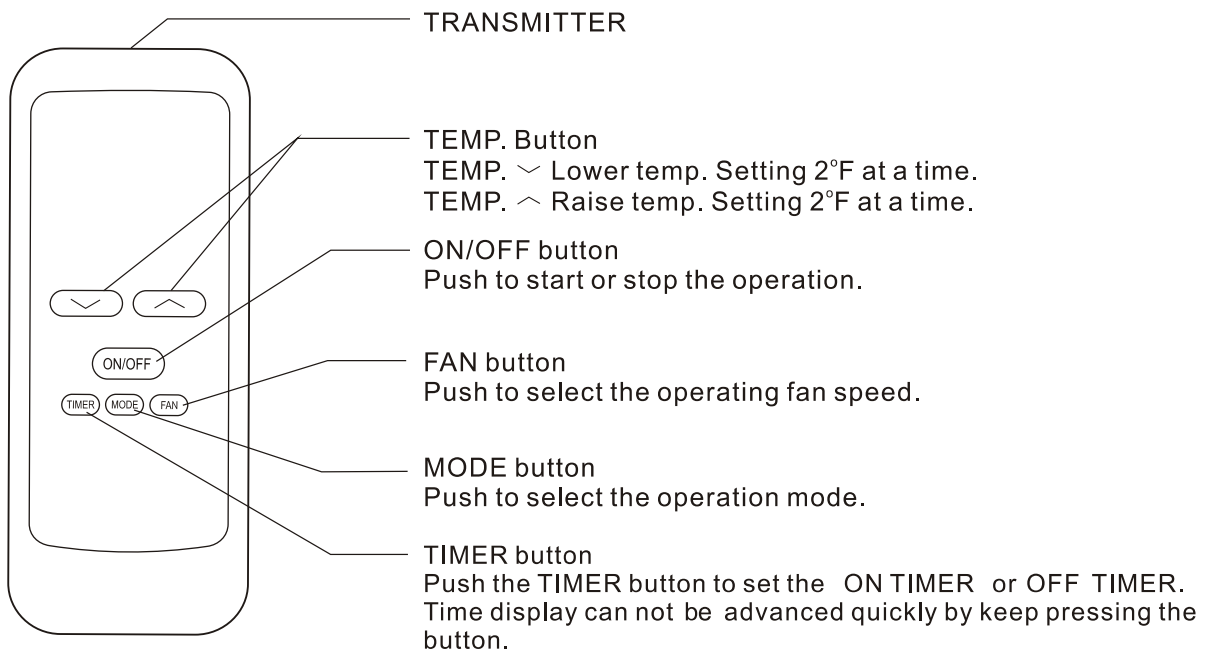
- Make sure no objects, such as curtains, block the receiver window.
- The remote control operates from up to 20 feet (6 meters) away.
- The beep will also sound when each pad on the control panel is touched.



CAUTION:

- Do not expose the receiver window to direct sunlight. This can adversely affect its operation. In such case, close the curtains to block the sunlight.
- Use of a fluorescent lamp in the same room may interfere with the transmission of the signal.
- The unit may be affected by signals emitted from the remote control of a television, VCR or other equipment used in the same room.
- Do not leave the remote control exposed to direct sunlight or near a heater. Protect the remote control from moisture and shock which can discolor or damage it.

OPERATING WITH THE REMOTE CONTROL



OPERATING INSTRUCTIONS

Failure Indicator Display:

- E_r* Indicates a malfunction of the indoor room temperature sensor
- E_n* Indicates a malfunction of the evaporator temperature sensor

Note: When one of the above malfunctions occurs, turn off the unit, and check for any obstructions. Restart the unit, if the malfunction is still present, turn off the unit and unplug the power cord. Contact Sharp for service.

- E_d* Indicates frosting protection (Turn off the unit and restart it to return to normal operation).
- E_f* Indicates the requirement of a filter check after 720 hours of fan operation. Turn off the unit, disconnect/unplug from the power supply. Clean the filter, then restore the power, the unit will return to normal operation.

NOTE:

EI=CLEAN AIR FILTER:

A message prompt "EI" will automatically appear in the LED window indicating when it is time to clean the air filter. The "EI" program is a (built-in) time device that operates based on total (air conditioner) running time. It is very important to keep the air filter clean at all times in order to maximize cooling efficiency (See Cleaning Air Filter). The air filter must be cleaned when the "EI" message from the LED display, the air conditioner must be switched off and disconnected (unplugged) from the power supply and re-connected. This action automatically resets the "EI" program internal time device.

In the event of a power failure, the "EI" program is automatically re-set, therefore we suggest you remove and clean the filter before re-starting the unit after any power failure.

CLEANING AND MAINTENANCE

CLEANING THE FILTER

If the filter is clogged with dust, the amount of air flow will be reduced, resulting in poor cooling performance. The filter should be cleaned every 10 days. At the beginning of every cooling season or after a long period of inactivity, clean the filter before starting the unit.



1 REMOVE THE FILTER

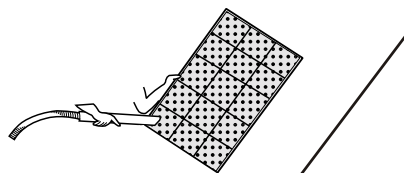
Open the front panel and get the filter out.

2 CLEAN THE FILTER

To remove dust from the filter, use a vacuum cleaner or wash it in clean water.

If the filter is very dirty, wash it with detergent and rinse carefully with clean water. Dry the filter with a soft cloth.

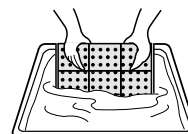
Do not expose the filter to heat or dry it in direct sunlight.



3 RE-INSTALL THE FILTER

Put the filter into its original position and close the front panel.

Never operate the unit without installing the filter. It may result in serious damage to the unit.



CLEANING OF THE FRONT PANEL AND CABINET

To clean the front panel and cabinet, wipe with a soft, dry cloth or with a cloth moistened with a mild soap. Rinse carefully by wiping with a damp cloth and dry completely.

Avoid splashing the unit with water. Excess water can damage electrical insulation and result in danger.

Never use harsh chemicals or abrasive cleaners on any part of the unit. To avoid damage to the unit, do not use hot water (120°F / 50°C or more) when cleaning.

OILING OF THE COMPRESSOR AND FAN MOTOR IS UNNECESSARY

The compressor is permanently lubricated and is hermetically sealed. The fan motor is lifetime sealed and does not require oiling.

REMOVING THE AIR CONDITIONER

Before removing the air conditioner, operate the unit in the FAN mode at high speed on a dry day for about half a day to thoroughly dry the water inside the air conditioner unit.

BEFORE CALLING FOR SERVICE

IF YOUR AIR CONDITIONER DOES NOT OPERATE PROPERLY, PLEASE CHECK THE FOLLOWING ITEMS BEFORE CALLING FOR SERVICE .

POWER PLUG CHECK

This air conditioner uses a fused power plug.

Always check the power plug before use.

1 Press the RESET button.

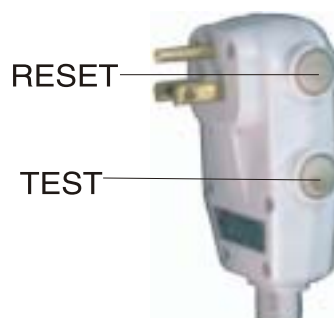
2 Insert the power plug into the wall socket.

3 Press the TEST button.

You will hear a T] T \ if the circuit breaker is functioning correctly.

4 Press the RESET button until you hear another CLICK.

The circuit breaker is activated, power is supplied, and the air conditioner is now ready for use.



Do not attempt to use the air conditioner if the above procedure is impossible, as it is malfunctioning.
Disconnect the power plug and request service.

AIR CONDITIONER DOES NOT OPERATE AT ALL

- Is the unit plugged in or is the plug loose?
- Is the fuse blown or the circuit breaker tripped?
- Did you restart the unit within 3 minutes after a power failure? If the power was off for less than 3 minutes, and you restarted the air conditioner within 3 minutes, a protective device may cause the compressor to shut off, preventing cooling for about 5 minutes.

AIR CONDITIONER DOES NOT PROPERLY COOL

- Is the MODE set to fan only Mode?
Cooling will not take place in the fan only mode. Change the MODE setting.
- Is the filter clogged with dust?
A dirty filter can cause the cooling coils to freeze. If this happens, clean the filter and replace. Run the air conditioner on the MED FAN setting until all ice dissipates.
- Is the temperature set properly?
If your room is too warm, adjust the temperature setting lower.
- Is the window exposed to direct sunlight?
Close curtains or blinds to minimize solar energy heating the room.
- Are the windows or doors open?
Close all windows and doors for maximum cooling.

TIMER DOES NOT WORK PROPERLY

- If a power failure occurs while the ON TIMER is set, the TIMER setting will be cancelled and will not resume even after the power is reinstated. This is the normal operation for this unit.